

Door frame assembly tools

Now even easier and more flexible!



Simply better.



Door frame clamp TU optimized now to insert the door frame more easily

- due to removable clamping bracket with increased clamping surfaces and removable brackets



Door frame brace extension TUX for extra-wide doors to be installed

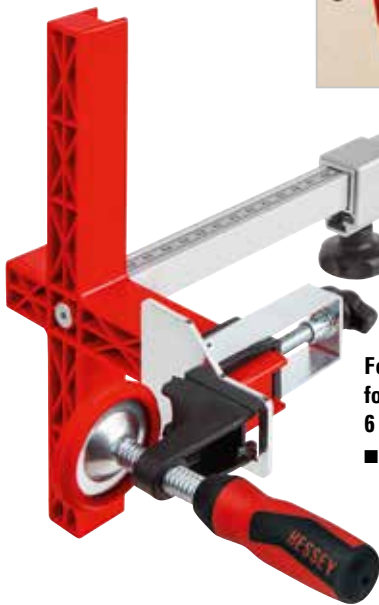
- accessories to increase the opening width of the TU door frame brace



Precision work

- due to telescopic square anodised aluminium tubing with mm scale and adjusting screw

YouTube



For sensitive door frames for frame depths of 6 to 13 cm or 13 to 30 cm

- due to cross-shaped pressure plate with interchangeable clamping elements



TU-TRAGE includes 6 door frame clamps in a nylon wheeled case

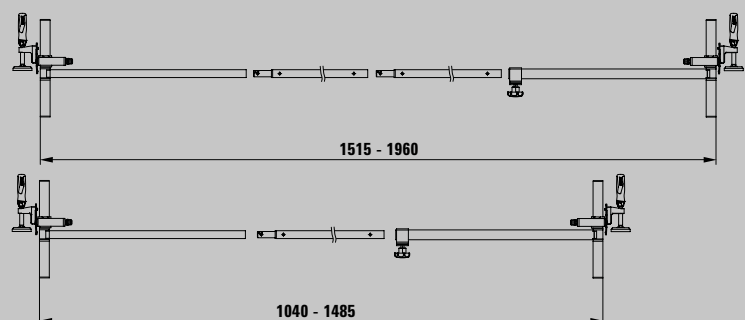
- for safe and dustfree storage
- for easy transport
- for stowing further products of the BESSEY door frame assembly system

Door frame clamp TU and TU-TRAGE

Order-No.	Opening	Contents/pc.	⚖	📦	V3
	mm		kg	qty.	
TU	565-1010	--	1.27	2	
TU-TRAGE	565-1010	6 door frame clamps in nylon case for a total of 3 doors	9.90	1	

Door frame brace extension TUX

Order-No.	Opening	Contents/pc.	⚖	📦	V3
	mm		kg	qty.	
TUX	1040-1960	2 extension rods	0.37	1	

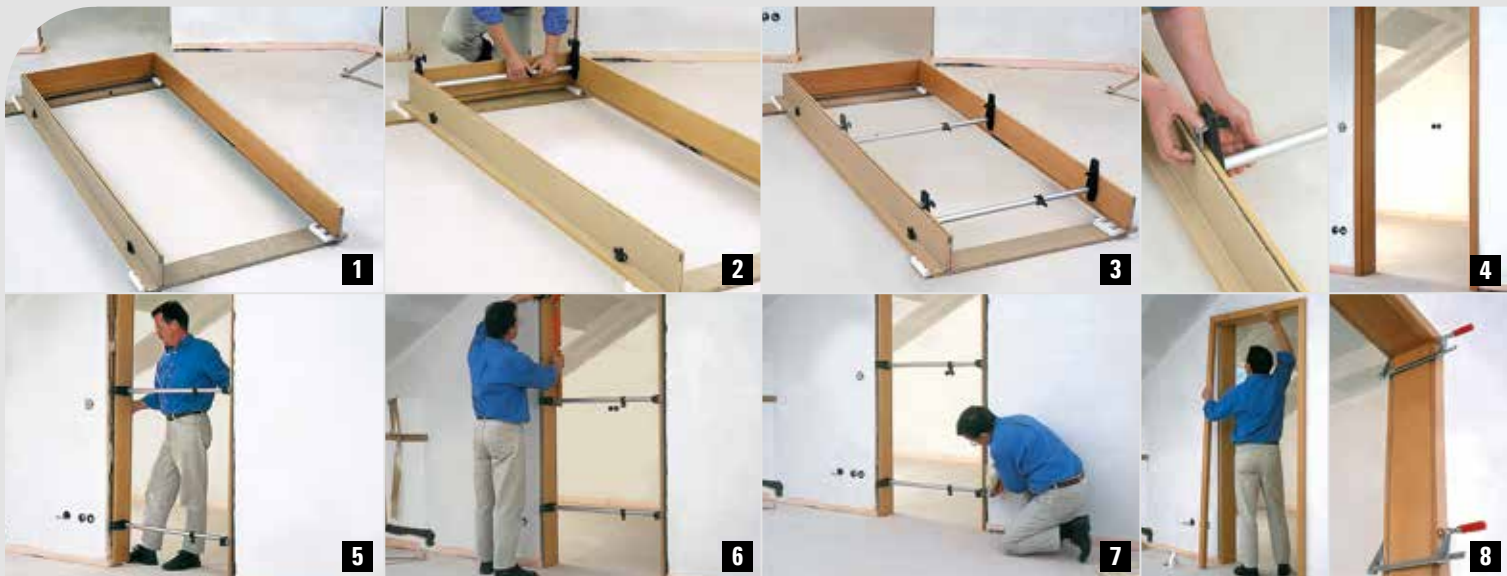


Door frame assembly tools

Now even easier and more flexible!



Simply better.



- "Gently and precisely" braces and supports door casing during foam filling of wall joint
- Precision work
- Low weight



Door frame assembly device TMS

Order-No.	Opening			
	mm	kg	qty.	V3
TMS	560-1010	0.68	2	

YouTube



Door frame straightening clamp TFM-2K

Order-No.	Adjusting range	Throat depth			
	mm	mm	kg	qty.	V3
TFM-2K	35	70	0.58	2	

- For quick, precise aligning and fixing of door frames
- The intelligent companion for the BESSEY door frame clamp TU and TMS



Angle door frame straightening clamp WTR

Order-No.	Opening chuck thickness	Adjusting range			
	mm	mm	kg	qty.	V3
WTR	8-30	32	1.05	2	

- For neatly fixed and stabilised frame corners
- For mounting at a precise 90° angle

For further information
www.bessey.de



BESSEY Tool GmbH & Co. KG ■ Mühlwiesenstraße 40
74321 Bietigheim-Bissingen, Germany
Fon +49 7142 401-0 ■ Fax +49 7142 401-452
E-Mail: info@bessey.de ■ www.bessey.de

Your dealer: